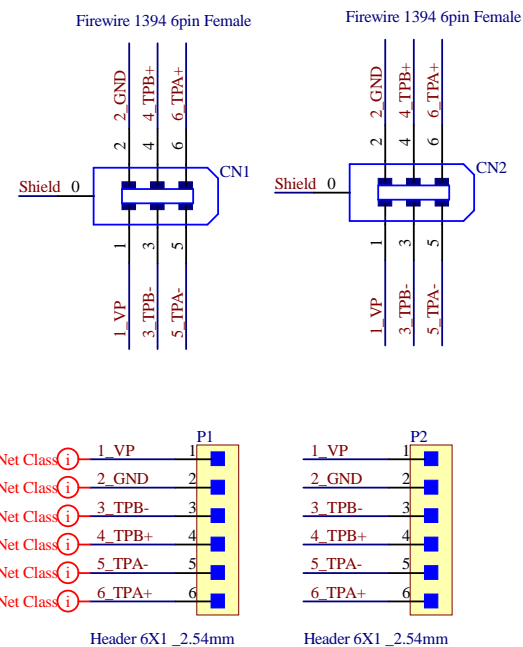
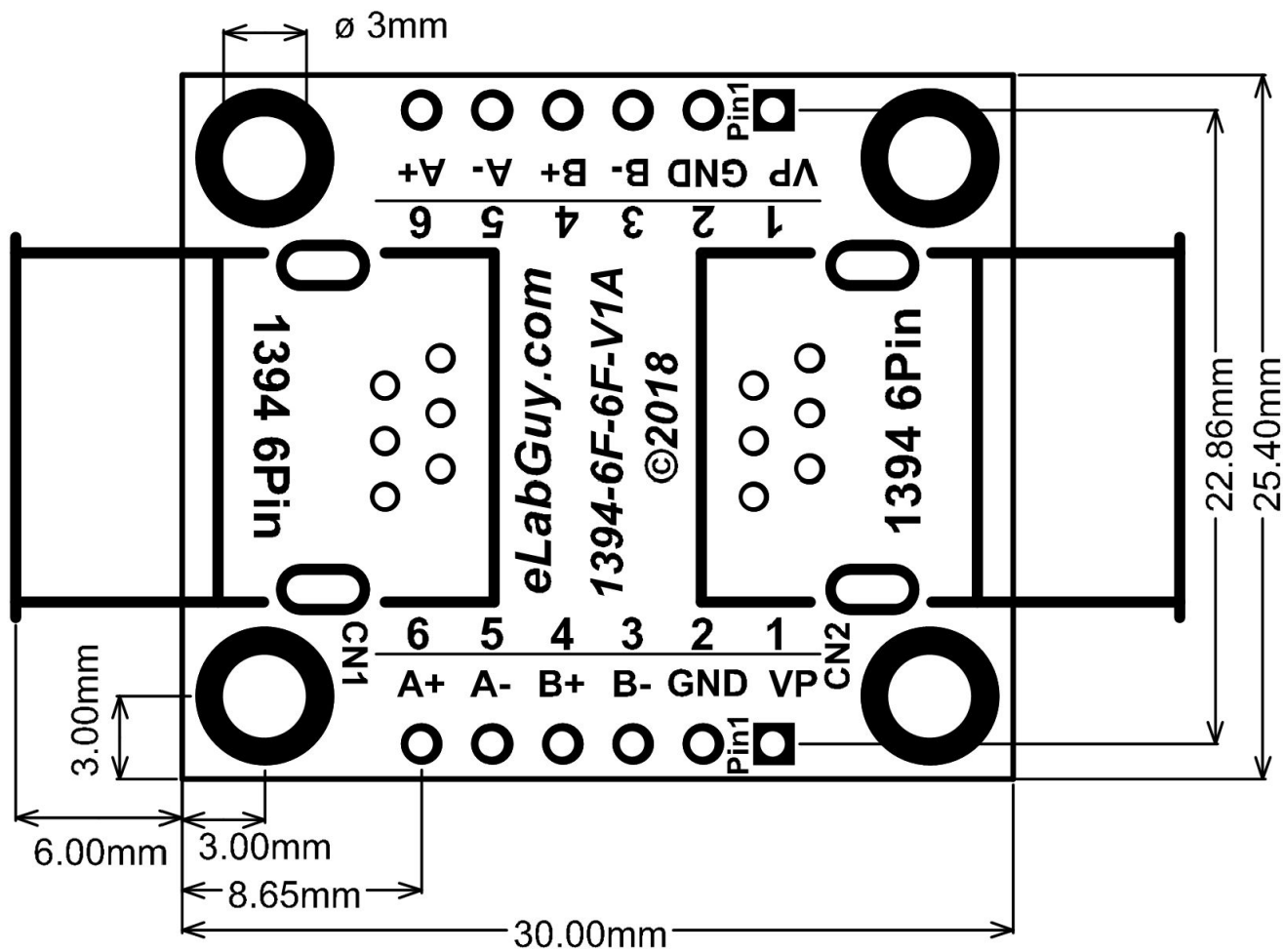


**\*PCB 1.6mm THICKNESS**



Title		
Firewire 1394 6 pin Female to Female Pass-Through		
Size	Number	Revision
A4	1394-6F-6F-V1A	1A
Date:	10/14/2018	Sheet of
File:	C:\Users\...1394-6F-6F-V1A.SchDoc	Drawn By: <a href="http://www.eLabGuy.com">www.eLabGuy.com</a>